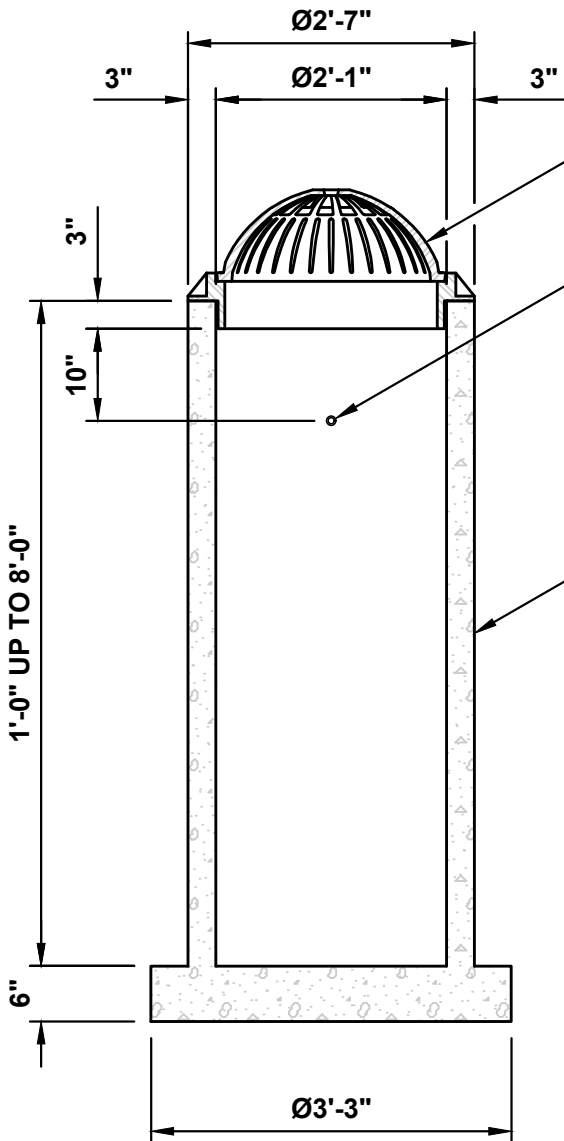
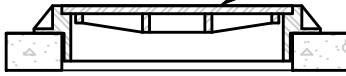


Ø24" MANHOLE - MONO BASE

CAST IRON FRAMES AND COVERS ARE AVAILABLE IN SUBURBAN 3" HEIGHT AND STANDARD 7" HEIGHT (SUBURBAN 3" HEIGHT SHOWN)



OPTIONAL "BEEHIVE" GRATE WITH LOCKING CABLE TIE-DOWN AVAILABLE

Ø⁵/₈" NC FERRULE LOOP INSERT PROVIDED TO SECURE GRATE WITH CABLE TIE-DOWN (CONTRACTOR TO PROVIDE AND INSTALL CABLE)

Ø24" MANHOLE MONO BASE (HOLES CORED TO ORDER)

- 1'-0" (915LBS)
- 2'-0" (1,195LBS)
- 3'-0" (1,475LBS)
- 4'-0" (1,760LBS)
- 5'-0" (2,040LBS)
- 6'-0" (2,320LBS)
- 7'-0" (2,600LBS)
- 8'-0" (2,880LBS)

SECTION VIEW

NOTES:

1. MANHOLE ASSEMBLY CONFORMS TO ASTM-C478.
2. HOLES CORED TO ORDER.
3. WEIGHTS LISTED ARE APPROXIMATE.
4. GRADE RINGS AVAILABLE AS NEEDED.