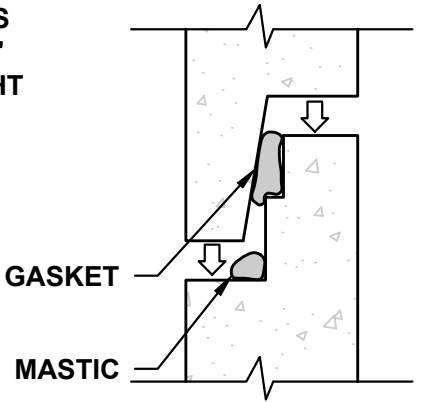
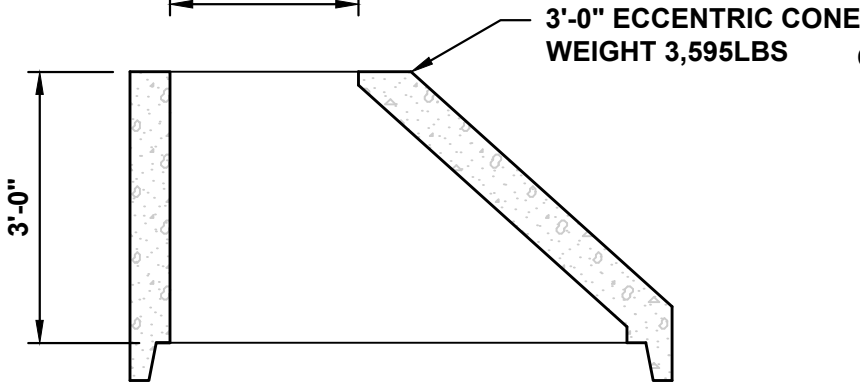
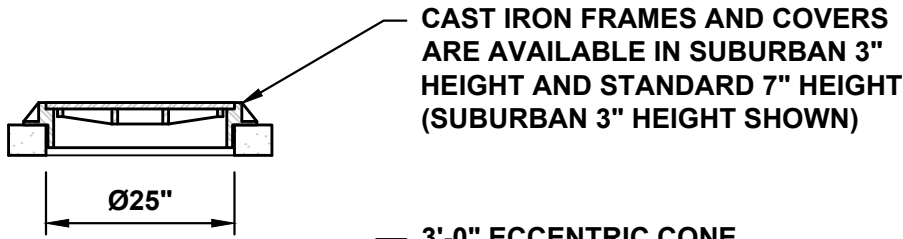
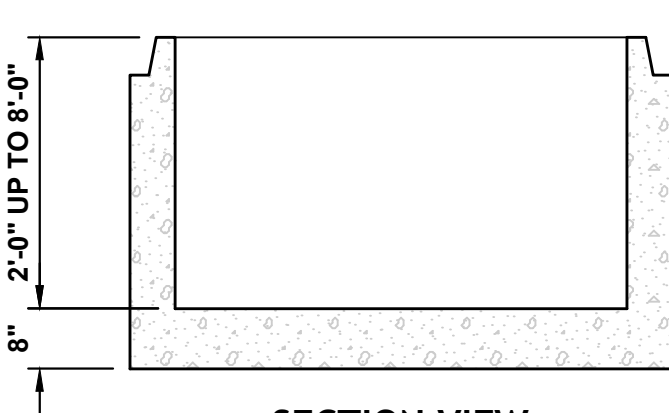
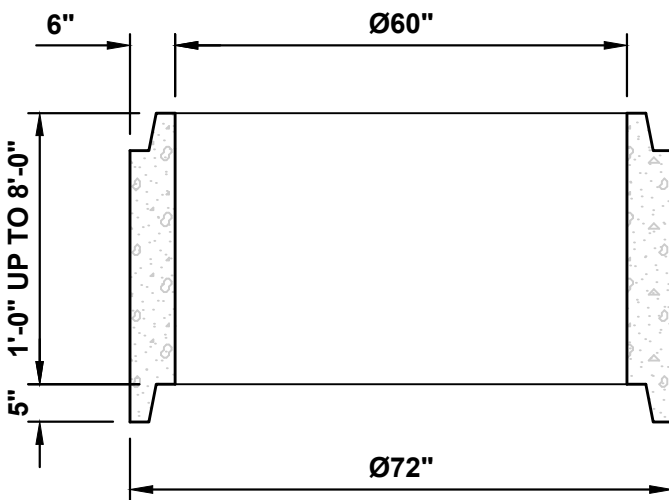


# Ø60" MANHOLE - ECCENTRIC CONE



## JOINT DETAIL

STANDARD JOINT SEALANT IS MASTIC.  
RUBBER GASKET IS OPTIONAL.



## SECTION VIEW

### NOTES:

1. MANHOLE ASSEMBLY CONFORMS TO ASTM-C478.
2. ALL MANHOLE JOINTS SEALED WITH MASTIC OR RUBBER GASKET.
3. WEIGHTS LISTED ARE APPROXIMATE.
4. GRADE RINGS AVAILABLE AS NEEDED.