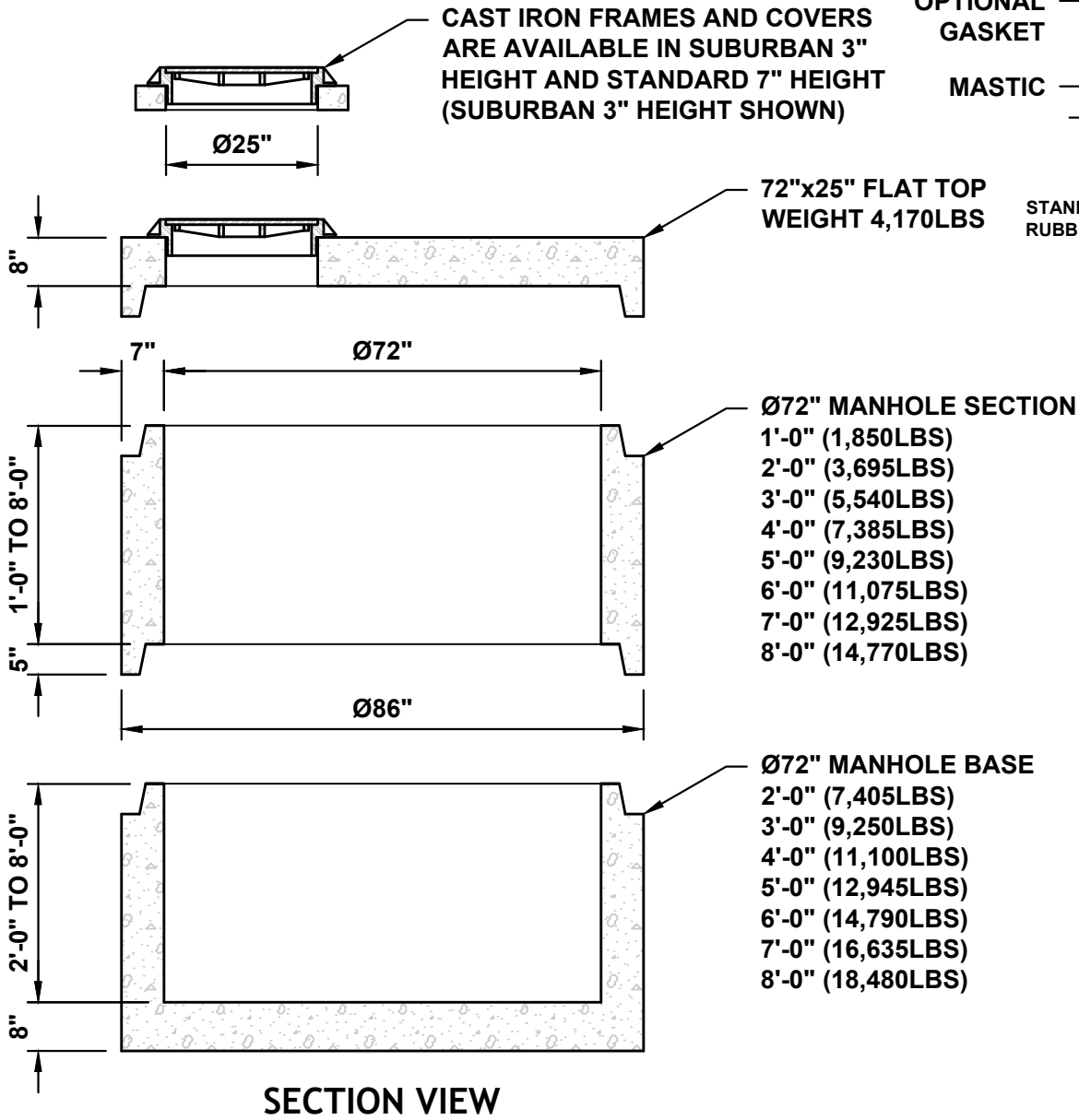
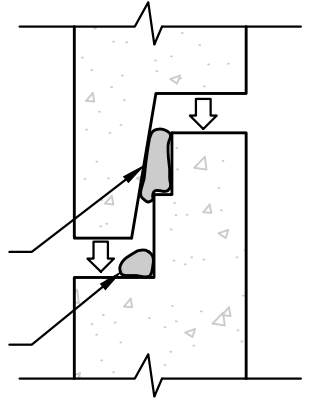


Ø72" MANHOLE - FLAT TOP



OPTIONAL
GASKET

MASTIC



JOINT DETAIL

STANDARD JOINT SEALANT IS MASTIC.
RUBBER GASKET IS OPTIONAL.

NOTES:

1. MANHOLE ASSEMBLY CONFORMS TO ASTM-C478.
2. ALL MANHOLE JOINTS SEALED WITH MASTIC OR RUBBER GASKET.
3. WEIGHTS LISTED ARE APPROXIMATE.
4. GRADE RINGS AVAILABLE AS NEEDED.