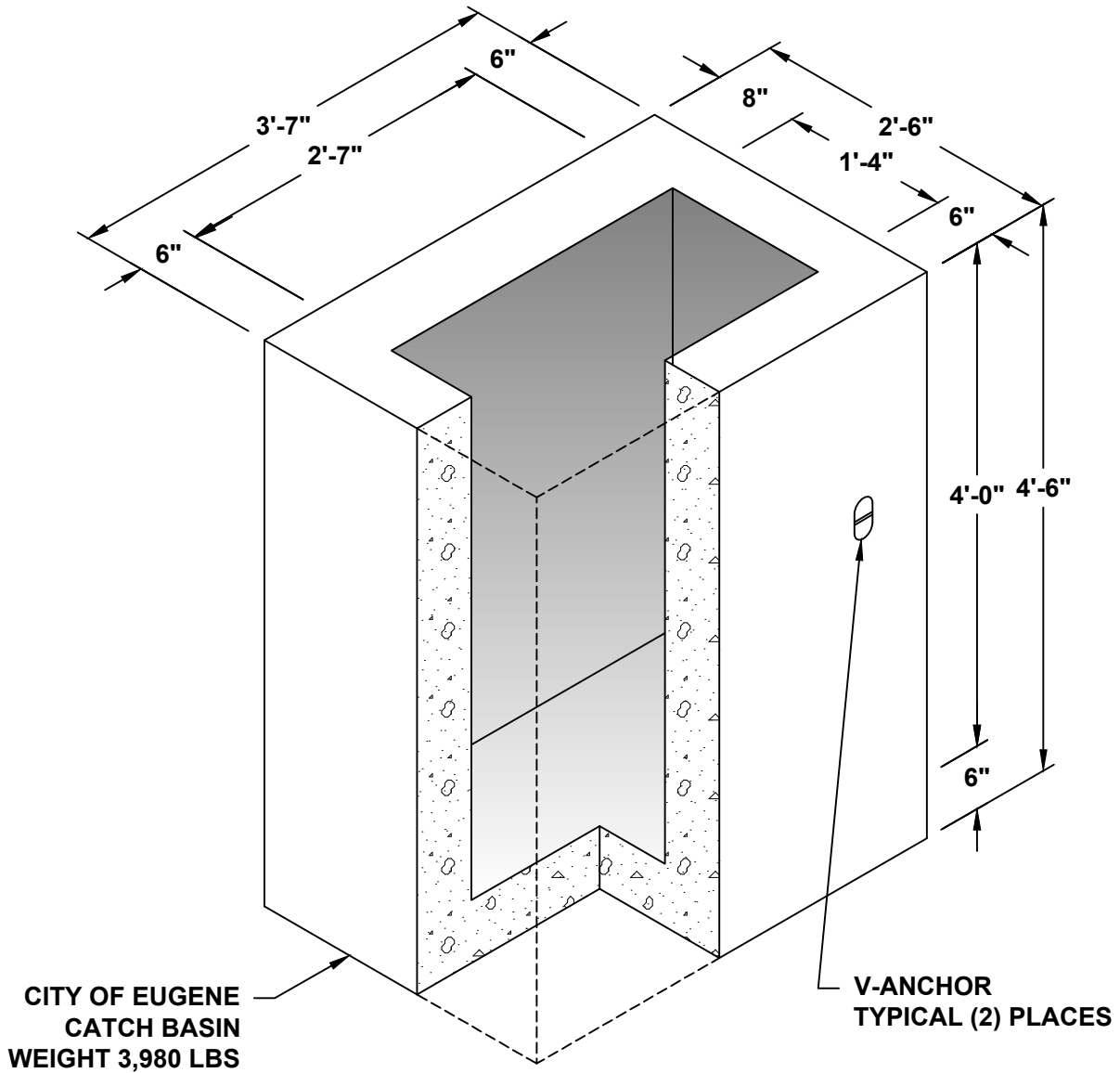


CITY OF EUGENE - CATCH BASIN

ADJUSTMENT RISER AVAILABLE
IN: 4", 6" AND 12" HEIGHT



NOTES:

1. MEETS OR EXCEEDS ODOT STANDARD DRAWING NO. RD364.
2. ALL DIMENSIONS SUBJECT TO ALLOWABLE TOLERANCES.