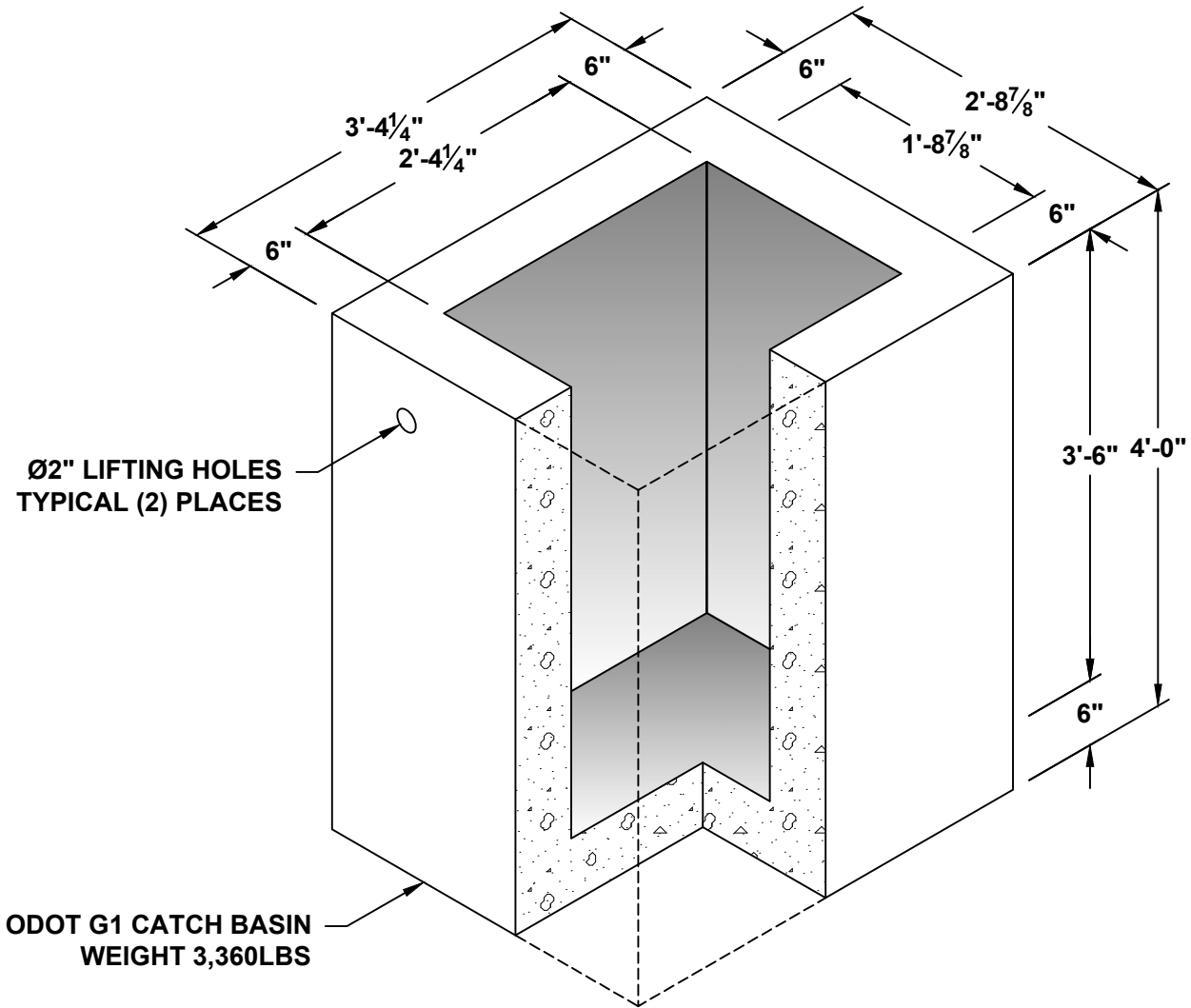


# O.D.O.T. - TYPE G1 CATCH BASIN

ADJUSTMENT RISER AVAILABLE  
IN: 4", 6" AND 12" HEIGHT



**NOTES:**

1. MEETS OR EXCEEDS ODOT STANDARD DRAWING NO. RD364.
2. ALL DIMENSIONS SUBJECT TO ALLOWABLE TOLERANCES.