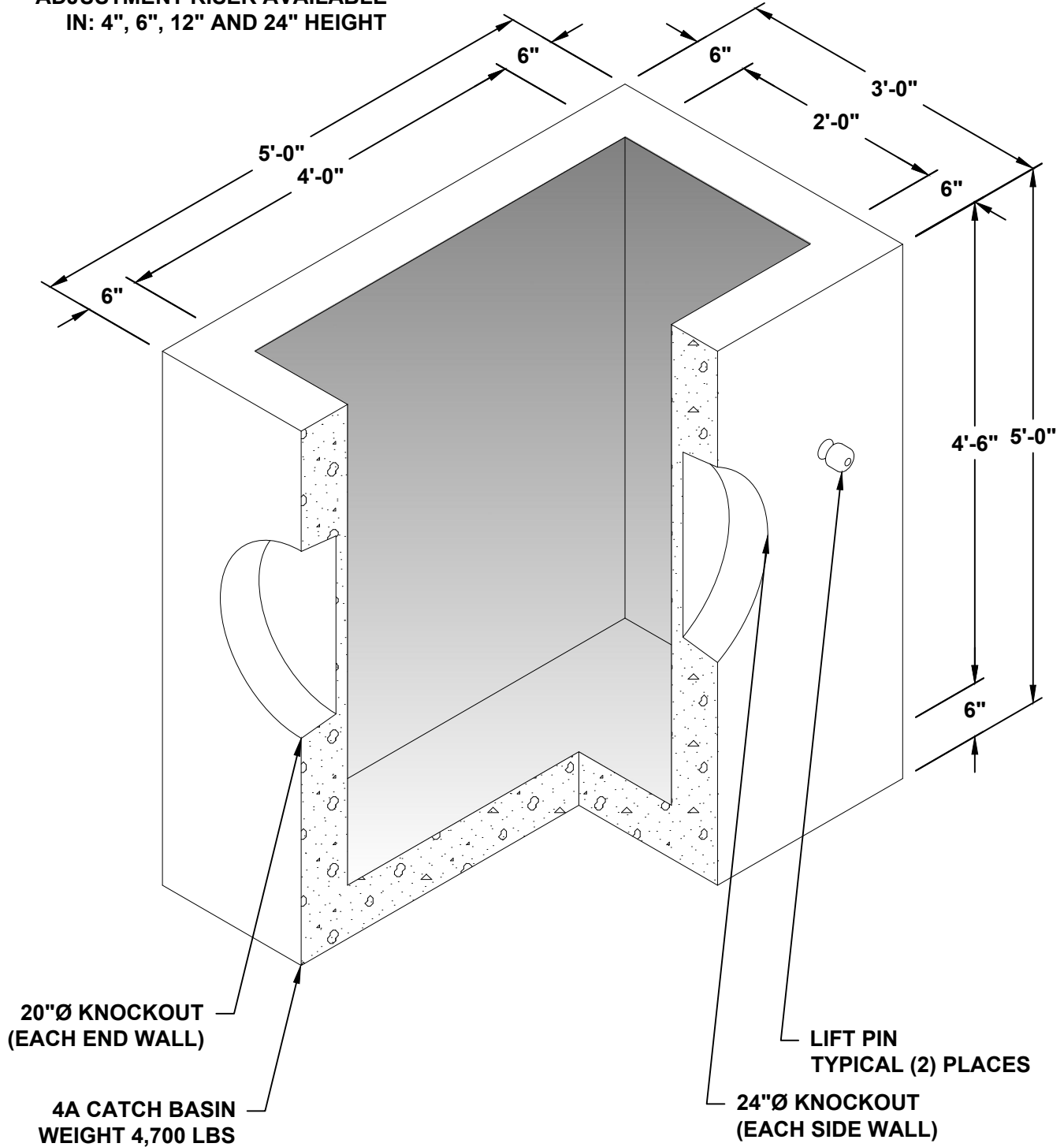


TYPE 4A - CATCH BASIN

ADJUSTMENT RISER AVAILABLE
IN: 4", 6", 12" AND 24" HEIGHT



NOTES:

1. MEETS OR EXCEEDS ODOT STANDARD DRAWING NO. RD364.
2. ALL DIMENSIONS SUBJECT TO ALLOWABLE TOLERANCES.